



# Foreman

Ductable Dual  
Fuel Indirect-Fired  
Heater

<b>CI230</b>	230,000 Btuh / 67.4 kW
<b>CI500</b>	500,000 Btuh / 146.54 kW
<b>CI750</b>	750,000 Btuh / 219.8 kW

LP Vapor Withdrawal or Natural Gas



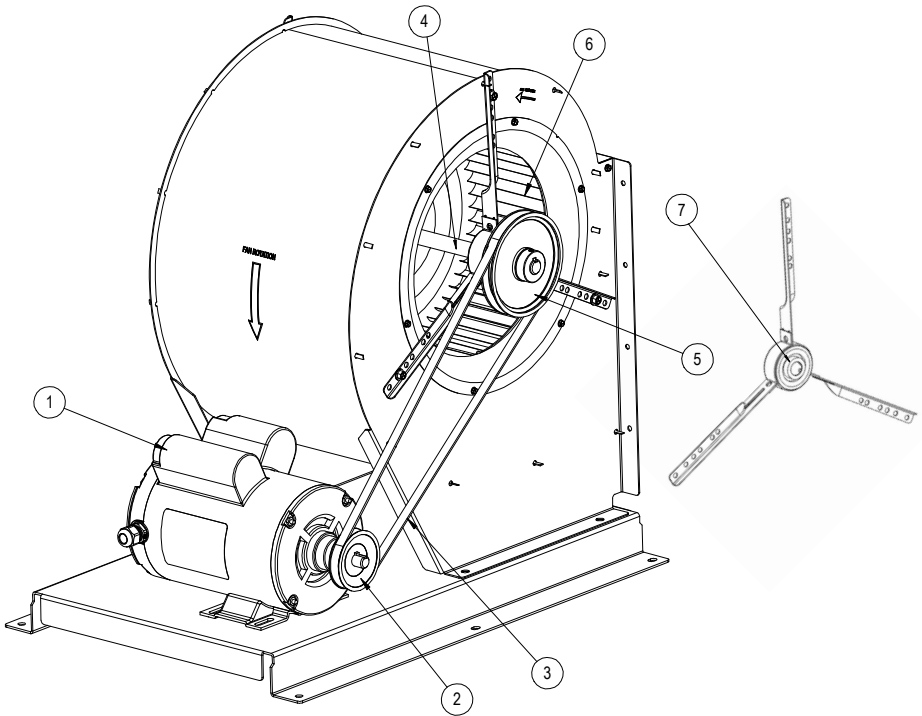
Report No: 0545GH001S



## Congratulations!

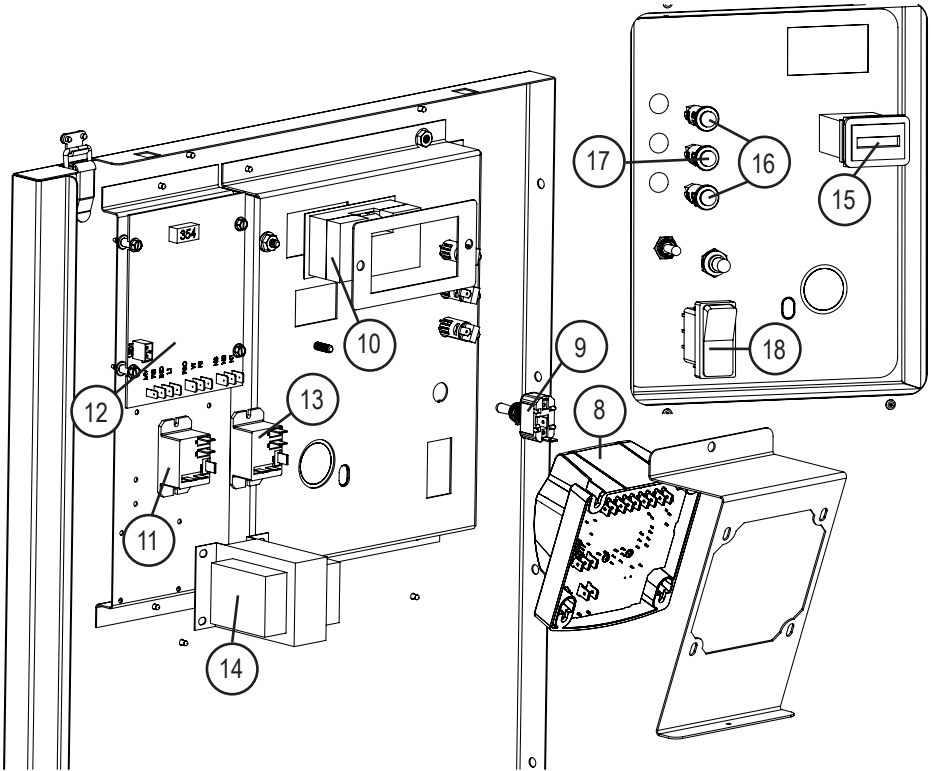
You have purchased the finest Indirect-fired construction heater available. Your new L.B. White heater incorporates the benefits from the most experienced manufacturer of heating products using state-of-the-art technology.

## Parts List - Blower Motor / Fan Wheel CI500 / CI750 Shown



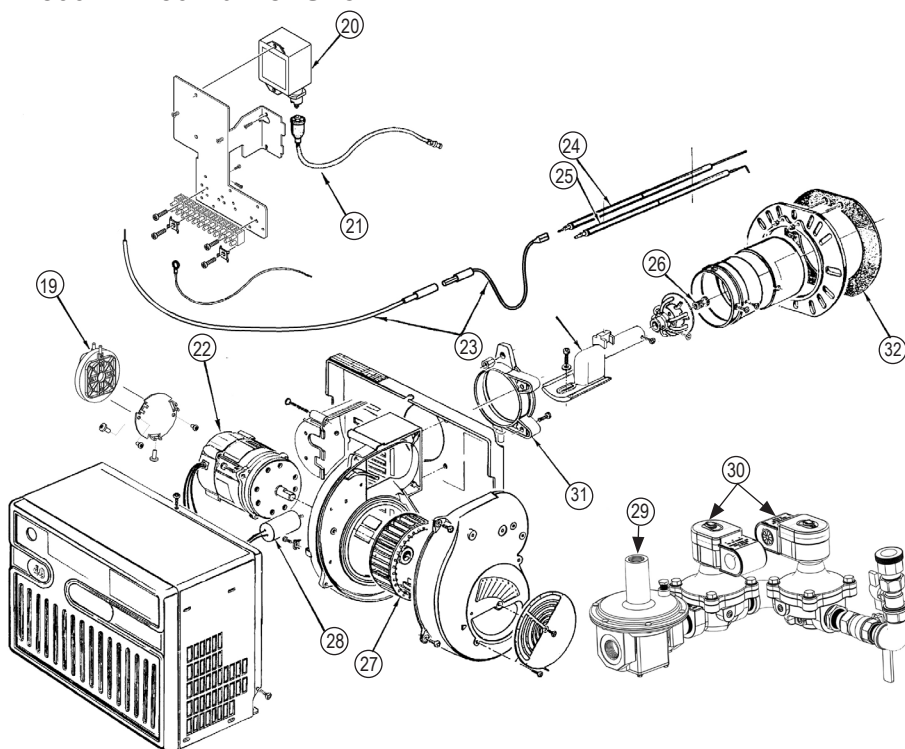
Item	Description	CI230	CI500	CI750
1	Motor	574120	573565	573686
2	Pulley, Motor	--	573569	573683
3	Belt	--	573552	574164
4	Shaft, Fan Assembly	--	573572	
5	Pulley	--	573573	573684
6	Wheel, Fan	574123	573581	573694
7	Bearing, Rubber Cartridge	--	573696	

## Parts List - Control Box



Item	Description	CI230	CI500	CI750
8	Control, Ignition, for Burner	574118	573554	
9	Toggle, Switch with boot	571906		
10	Volt meter	573947		
11	Relay, DPST, 120 Coil	570221	574253	570221
12	Control, Main Fan Motor	573553		
13	Relay, 4X DPST, 120v Coil	573663	--	
14	Transformer	574117	--	
15	Hour Meter	574121		
16	LED, Snap in, Green, 120V	573770		
17	LED, Snap in, Red, 120V	573564		
18	Switch, Rocker, DPDT	574122		

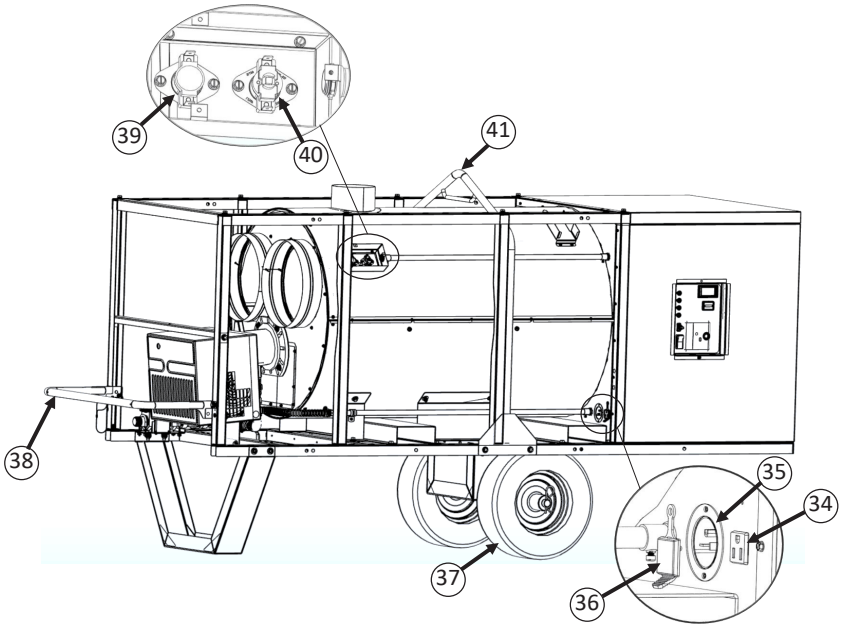
## Parts List - Burner Components CI500 / CI750 Burner Shown



Item	Description	CI230	CI500	CI750
19	Switch, air pressure	574113		573574
20	Transformer, ignition	574112		573563
21	Cable, ignition	--		573555
22	Motor, burner	574110		573566
23	Cable, flame sensor	--		573583
24	Flame rod	574114		573571
25	Electrode	574115		573562
26	Orifice, burner	--	573567	573709
27	Wheel, fan	574111		573582
28	Capacitor, 20 $\mu$ F	--		573556
29	Regulator, 1" NPT	--		573578
30	Valve, Gas Control	574116		573579
31	Collar, Chassis Mounting, Riello	--		573672
32	Gasket, Fiber, Burner, Riello	--		573673
33*	Gasket, Burner Tube to Combustion Chamber		573776	

\* Not Illustrated

## Parts List - Chassis Components



Item	Description	CI230	CI500	CI750
34	Receptacle, NEMA, AC female, snap-in		573570	
35	Inlet, Flanged, Straight-Blade, NEMA	574125	574126	574127
36	Cover, Thermostat Outlet		574138	
37	Wheel	573991		573581
38	Handle, lifting, rear	574140		573560
39	Switch, limit, burner, auto reset, 190°		573575	
40	Switch, high limit, 250°F		571671	
41	Handle, lifting, bale	574139		573561
42*	Thermostat w/ 25 FT. cord*		500-30125	
43**	Panel, Rear	574129		574130
44**	Cover, high limit		574101	

\* Optional Accessories

\*\* Not Illustrated