

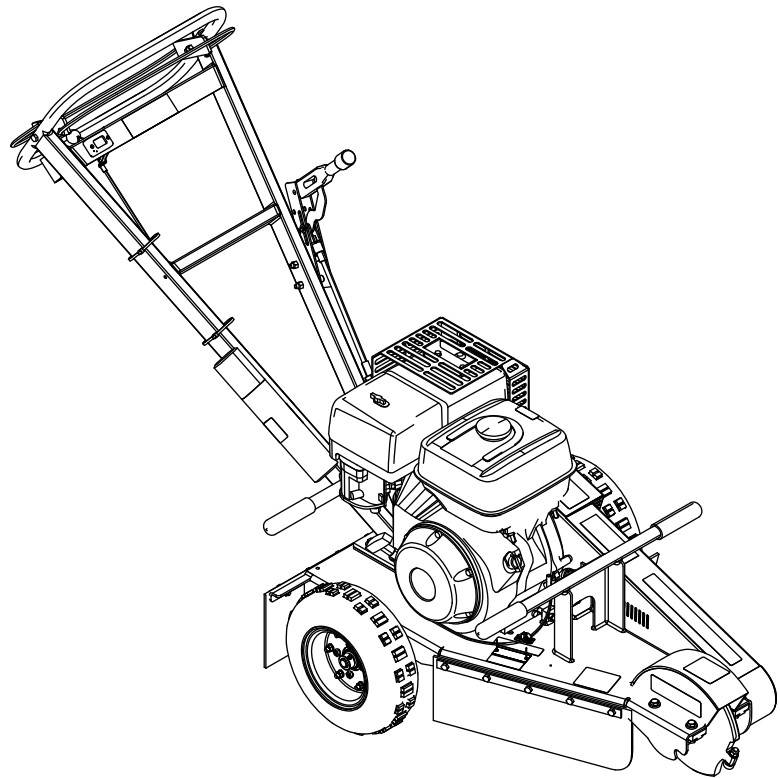


Count on it.

Operator's Manual

SGR-13 Stump Grinder

Model No. 22619—Serial No. 402470001 and Up



This product complies with all relevant European directives; for details, please see the separate product specific Declaration of Conformity (DOC) sheet.

It is a violation of California Public Resource Code Section 4442 or 4443 to use or operate the engine on any forest-covered, brush-covered, or grass-covered land unless the engine is equipped with a spark arrester, as defined in Section 4442, maintained in effective working order or the engine is constructed, equipped, and maintained for the prevention of fire.

The enclosed engine owner's manual is supplied for information regarding the US Environmental Protection Agency (EPA) and the California Emission Control Regulation of emission systems, maintenance, and warranty. Replacements may be ordered through the engine manufacturer.

⚠ WARNING

**CALIFORNIA
Proposition 65 Warning**

The engine exhaust from this product contains chemicals known to the State of California to cause cancer, birth defects, or other reproductive harm.

Use of this product may cause exposure to chemicals known to the State of California to cause cancer, birth defects, or other reproductive harm.

Introduction

This machine is designed to grind and remove tree stumps and surface roots. It is not intended to cut rock or any other material other than wood and the soil around a stump.

Read this information carefully to learn how to operate and maintain your product properly and to avoid injury and product damage. You are responsible for operating the product properly and safely.

You may contact Toro directly at www.Toro.com for product and accessory information, help finding a dealer, or to register your product.

Whenever you need service, genuine Toro parts, or additional information, contact an Authorized Service Dealer or Toro Customer Service and have the model and serial numbers of your product ready. **Figure 1** illustrates the location of the model and serial numbers on the product. Write the numbers in the space provided.

Important: With your mobile device, you can scan the QR code on the serial number decal (if equipped) to access warranty, parts, and other product information.

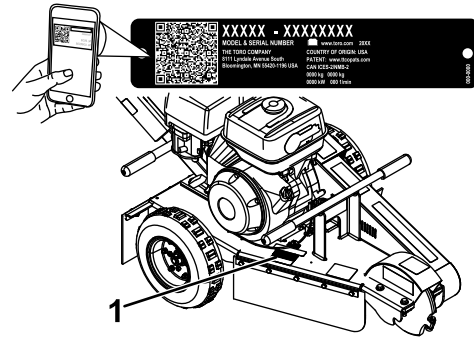


Figure 1

g254494

1. Model and serial number plate

Model No. _____
Serial No. _____

This manual identifies potential hazards and has safety messages identified by the safety-alert symbol (**Figure 2**), which signals a hazard that may cause serious injury or death if you do not follow the recommended precautions.



Figure 2

g000502

1. Safety-alert symbol

This manual uses 2 words to highlight information. **Important** calls attention to special mechanical information and **Note** emphasizes general information worthy of special attention.

Contents

Safety	3
Safe Operating Practices	3
Safety and Instructional Decals	5
Product Overview	7
Controls	7
Specifications	8
Attachments/Accessories	8
Operation	8
Before You Start	8
Adding Fuel	8
Performing Daily Maintenance	10

Starting the Engine	10
Shutting Off the Engine	10
Grinding a Stump	10
Lifting the Machine	11
Maintenance	12
Recommended Maintenance Schedule(s)	12
Lubrication	12
Greasing the Machine.....	12
Engine Maintenance	13
Servicing the Air Cleaner	13
Servicing the Engine Oil.....	14
Servicing the Spark Plug.....	16
Cleaning the Engine Screen	17
Fuel System Maintenance	17
Cleaning the Sediment Cup	17
Brake Maintenance	18
Adjusting the Parking Brake.....	18
Belt Maintenance	18
Adjusting the Drive-Belt Tension	18
Replacing the Drive Belt	19
Grinder Maintenance.....	20
Replacing the Teeth.....	20
Cleaning	21
Removing Debris from the Machine	21
Storage	21
Troubleshooting	23

Safety

Improper use or maintenance by the operator or owner can result in injury. To reduce the potential for injury, comply with these safety instructions and always pay attention to the safety-alert symbol (Figure 2), which means **Caution**, **Warning**, or **Danger**—personal safety instruction. Failure to comply with the instruction may result in personal injury or death.

Safe Operating Practices

This product is capable of amputating hands and feet. Always follow all safety instructions to avoid serious injury or death.

⚠ WARNING

Engine exhaust contains carbon monoxide, an odorless poison that is fatal if inhaled.

Do not run the engine indoors or in an enclosed area.

Training

- Read the *Operator's Manual* and other training material. If the operator(s) or mechanic(s) cannot read English, it is the owner's responsibility to explain this material to them.
- Become familiar with the safe operation of the equipment, operator controls, and safety signs.
- All operators and mechanics should be trained. The owner is responsible for training the users.
- Never let children or untrained people operate or service the equipment. Local regulations may restrict the age of the operator.
- The owner/user can prevent and is responsible for accidents or injuries occurring to himself or herself, other people or property.

Preparation

- Wear appropriate clothing including gloves, eye protection, long pants, substantial slip-resistant footwear, and hearing protection. Tie back long hair and do not wear loose clothing or loose jewelry.
- Inspect the area where you will use the equipment and remove all objects, such as rocks, toys, and wire, that the machine could throw.
- Check that the operator's presence controls, safety switches, and shields are attached and functioning properly. Do not operate the machine unless they are functioning properly.

Fuel Safety

- Use extra care when handling fuel. It is flammable and its vapors are explosive.
- Extinguish all cigarettes, cigars, pipes, and other sources of ignition.
- Use only an approved fuel container.
- Do not remove the fuel cap or fill the fuel tank while the engine is running or hot.
- Do not add or drain fuel in an enclosed space.
- Do not store the machine or fuel container where there is an open flame, spark, or pilot light, such as on a water heater or other appliance.
- If you spill fuel, do not attempt to start the engine; avoid creating any source of ignition until the fuel vapors have dissipated.

Operation

- Use your full attention while operating the machine. Do not engage in any activity that causes distractions; otherwise, injury or property damage may occur.
- Never run an engine in an enclosed area.
- Operate the machine only in good light, keeping away from holes and hidden hazards.
- Ensure that all the drives are in neutral and the parking brake is engaged before starting the engine. Start the engine only from the operator's position.
- Never operate the machine without the guards securely in place. Ensure that all the interlocks are attached, adjusted, and functioning properly.
- Do not change the engine-governor setting or overspeed the engine.
- Park the machine on a level surface, engage the parking brake, and shut off the engine before leaving the operator's position for any reason.
- Keep your hands and feet away from moving parts.
- Look behind and down before backing up to ensure that the path is clear.

- Do not operate the machine when you are tired, ill, or under the influence of alcohol or drugs.
- Use care when loading or unloading the machine into a trailer or truck.
- Ensure that the area is clear of people before operating the machine. Stop the machine if anyone enters the area.
- Never jerk the controls; use a steady motion.
- Watch for traffic when operating near or crossing roadways.
- Do not touch parts that may be hot from operation. Allow them to cool before attempting to maintain, adjust, or service the machine.
- Before grinding, have the area marked for underground utilities and do not grind in marked areas.
- Do not operate the machine when there is the risk of lighting.

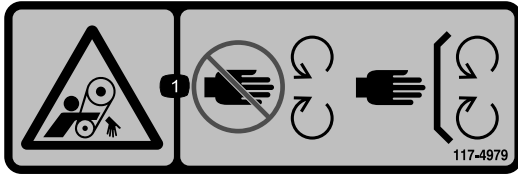
Maintenance and Storage

- Park the machine on a level surface, engage the parking brake, and shut off the engine. Wait for all moving parts to stop before adjusting, cleaning, or repairing the machine.
- Clean debris from the grinder, drives, mufflers, and engine to help prevent fires. Wipe up any spilled oil or fuel.
- Allow the engine to cool before storing and do not store the machine near flames.
- Never allow untrained personnel to service the machine.
- Carefully release pressure from components with stored energy.
- Keep your hands and feet away from the moving parts. If possible, do not make adjustments with the engine running.
- Remove the spark-plug wires before making any repairs.
- Keep all parts in good working condition and all hardware tightened. Replace all worn or damaged decals.
- Keep all nuts and bolts tight. Keep the equipment in good condition.
- Never tamper with the safety devices.
- Keep the machine free of grass, leaves, or other debris buildup. Wipe up any spilled oil or fuel. Allow the machine to cool before storing.
- Engage the parking brake, shut off the engine, wait for all moving parts to stop, and inspect the machine if you strike an object. Make any necessary repairs before starting the machine.
- Use only genuine Toro replacement parts.

Safety and Instructional Decals



Safety decals and instructions are easily visible to the operator and are located near any area of potential danger. Replace any decal that is damaged or missing.



117-4979

decal117-4979

1. Entanglement hazard, belt—stay away from moving parts; keep all guards and shields in place.



119-4693

decal119-4693

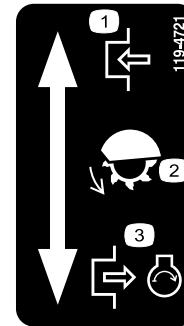
1. Thrown object hazard—keep bystanders a safe distance away from the machine.



119-4690

decal119-4690

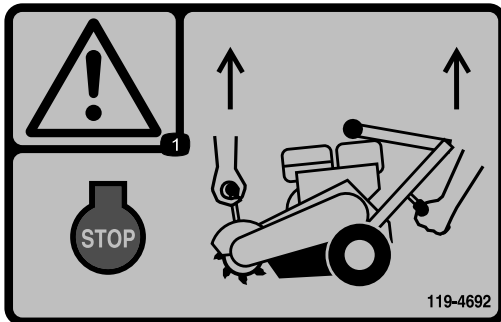
1. Warning; cutting/dismemberment hazard, grinding teeth—keep hands and feet away from all moving parts, keep all shields in place; wait for all moving parts to stop.



119-4721

decal119-4721

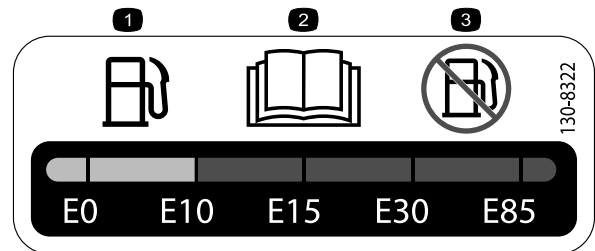
1. Engage
2. Grinding teeth
3. Disengage, engine runs



119-4692

decal119-4692

1. Warning—shut off the engine; use both hand holds to lift the grinder.



130-8322

decal130-8322

1. Use only fuel with an alcohol content by volume under 10%.
2. Read the *Operator's Manual* for more information on fuel.
3. Do not use fuel with an alcohol content by volume greater than 10%.

⚠ WARNING: Cancer and Reproductive Harm - www.P65Warnings.ca.gov.
 For more information, please visit www.toro.com/CAProp65

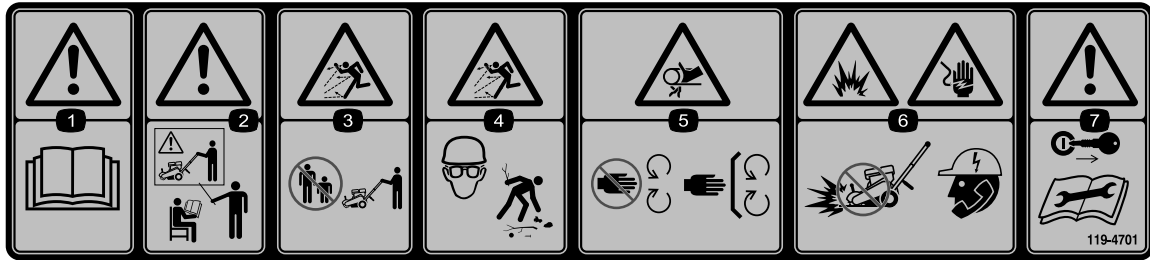
CALIFORNIA SPARK ARRESTER WARNING

Operation of this equipment may create sparks that can start fires around dry vegetation. A spark arrester may be required. The operator should contact local fire agencies for laws or regulations relating to fire prevention requirements.

133-8056

decal133-8056

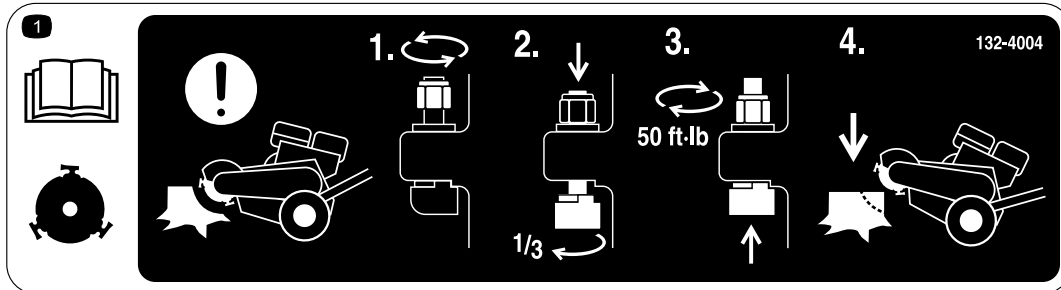
133-8056



decal119-4701

119-4701

1. Warning—read the *Operator's Manual*.
2. Warning—do not operate this machine unless you are trained.
3. Thrown object hazard—keep bystanders a safe distance away from the machine.
4. Thrown object hazard—wear eye protection; pick up debris before operating the machine.
5. Crushing hazard of hand—stay away from moving parts; keep all guards and shields in place.
6. Explosion hazard; electrical shock hazard—do not dig in areas with buried utility lines; contact local power organizations before digging.
7. Warning—remove the key (if applicable) and read the instructions before servicing or performing maintenance.



decal132-4004

132-4004

1. Warning, cutting wheel—to adjust the cutting wheel teeth between jobs 1) Loosen the nut; 2) Push the tooth down and rotate it 1/3 turn; 3) Tighten the nut to 68 N·m (50 ft-lb); 4) Proceed with grinding.

Product Overview

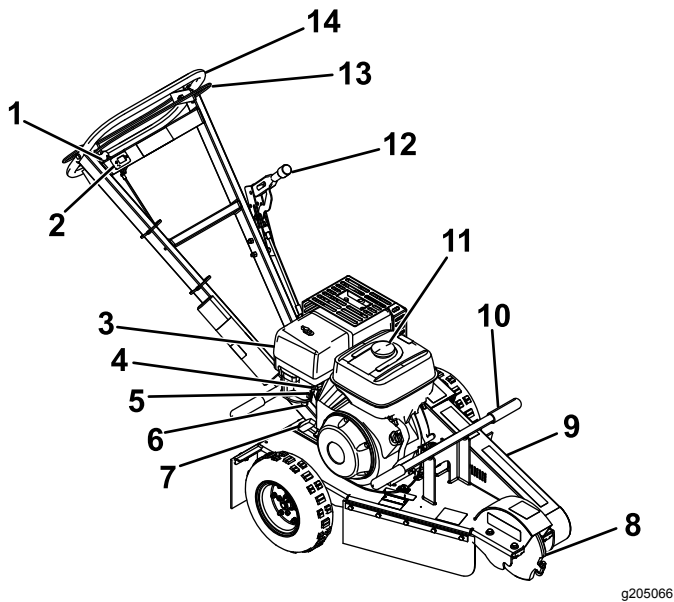


Figure 3

- | | |
|-----------------------|-------------------|
| 1. Throttle lever | 8. Cutting wheel |
| 2. Hour meter | 9. Belt cover |
| 3. Cyclone air filter | 10. Lift handle |
| 4. Choke lever | 11. Fuel cap |
| 5. Fuel valve | 12. Parking brake |
| 6. Sediment cup | 13. Safety bail |
| 7. Starter | 14. Handle |

Controls

Become familiar with all the controls ([Figure 3](#)) before you start the engine and operate the machine.

Safety Bail

The safety bail controls the engine. Hold the safety bail against the handle when you start the engine and use the machine. Release the safety bail to shut off the engine ([Figure 3](#)).

Throttle Lever

The throttle lever controls engine speed. With the lever down, in the **DISENGAGE** position, the engine runs at idle. This is also the starting position. When the engine speed increases, to the **ENGAGED** position, the centrifugal clutch engages and the cutting wheel rotates.

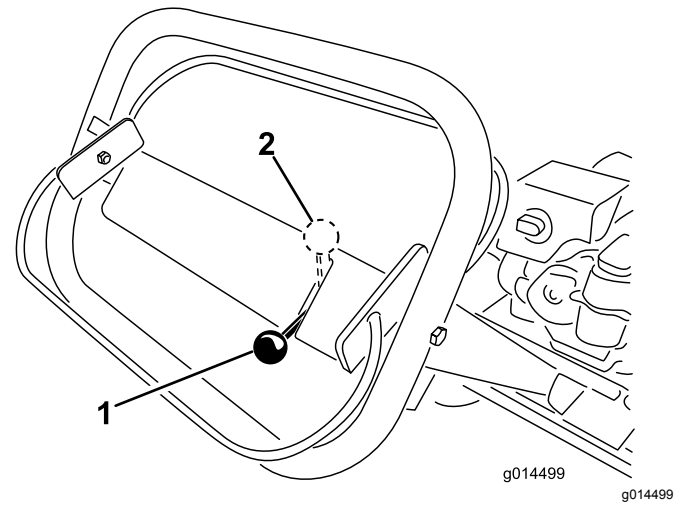


Figure 4

- | | |
|--------------------------------|------------------------------|
| 1. Throttle—Disengage position | 2. Throttle—Engaged position |
|--------------------------------|------------------------------|

Parking Brake

The parking brake holds the left wheel from turning to secure the machine and for easy movement of the machine from side to side when grinding a stump ([Figure 5](#)).

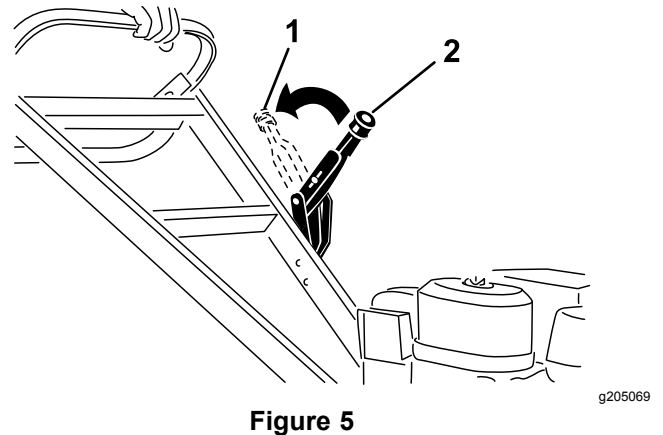


Figure 5

- | | |
|----------------------------|-------------------------------|
| 1. Parking brake (engaged) | 2. Parking brake (disengaged) |
|----------------------------|-------------------------------|

Hour Meter

The hour meter displays the number of hours of operation that have been logged on the machine.

Choke Lever

Use the choke lever ([Figure 3](#)) to start a cold engine. Before pulling the recoil-start handle, move the choke lever to the **CLOSED** position. Once the engine is running, move the choke lever to the **OPEN** position. Do not use the choke if the engine is already warmed up or if the air temperature is high.

Recoil-Start Handle

To start the engine, pull the recoil-start handle (Figure 6) quickly to turn the engine over. Refer to [Starting the Engine](#) (page 10) for the correct starting procedure.

Fuel Valve

The fuel valve (Figure 6) is located underneath the choke lever. Move the lever for the fuel valve to the ON position before attempting to start the engine.

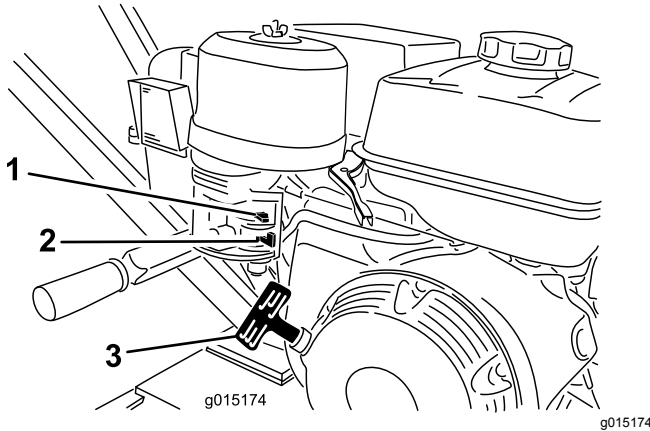


Figure 6

1. Choke
2. Fuel valve
3. Recoil-start handle

Specifications

Note: Specifications and design are subject to change without notice.

Cutting Depth	30 cm (12 inches)
Length	193 cm (76 inches)
Width	75 cm (29.5 inches)
Height	107 cm (42 inches)
Weight	109 kg (240 lb)

Attachments/Accessories

A selection of Toro approved attachments and accessories is available for use with the machine to enhance and expand its capabilities. Contact your Authorized Service Dealer or authorized Toro distributor or go to www.Toro.com for a list of all approved attachments and accessories.

To ensure optimum performance and continued safety certification of the machine, use only genuine Toro replacement parts and accessories. Replacement parts and accessories made by other manufacturers could be dangerous, and such use could void the product warranty.

Operation

Note: Determine the left and right sides of the machine from the normal operating position.

Important: Before operating the machine, check the fluid levels, and remove debris from the machine. Ensure that the area is clear of people and debris. You should also know and have marked the locations of all utility lines.

Before You Start

- Dig away the earth and remove any stones near the tree stump that may interfere with your work. Check that the ground is free of foreign objects, such as electrical cables, barbed wire, etc.
- Cut or trim the stump using a power saw.
- Review all the safety decals on the machine.
- Ensure that you are familiar with safety regulations and shutdown procedures described in this manual.
- Ensure that all guards are in place and in good condition.
- Ensure that the blades and cutters are in place and in good condition.
- Ensure that the work area, cutter, and stump in particular are free from metallic objects such as wire, nails, etc. that could be thrown out and injure persons in the vicinity and damage the equipment.

Adding Fuel

⚠ DANGER

In certain conditions, fuel is extremely flammable and highly explosive. A fire or explosion from fuel can burn you and others and can damage property.

- **Fill the fuel tanks outdoors, in an open area, when the engine is cold. Wipe up any fuel that spills.**
- **Never fill the fuel tanks inside an enclosed trailer.**
- **Never smoke when handling fuel and stay away from an open flame or where fuel fumes may be ignited by a spark.**
- **Store fuel in an approved container and keep it out of the reach of children. Never buy more than a 30-day supply of fuel.**
- **Do not operate without entire exhaust system in place and in proper working condition.**

⚠ DANGER

In certain conditions during fueling, static electricity can be released, causing a spark that can ignite the fuel vapors. A fire or explosion from fuel can burn you and others and can damage property.

- Always place fuel containers on the ground away from your vehicle before filling.
- Do not fill fuel containers inside a vehicle or on a truck or trailer bed, because interior carpets or plastic truck bed liners may insulate the container and slow the loss of any static charge.
- When practical, remove equipment from the truck or trailer and refuel the equipment with its wheels on the ground.
- If this is not possible, then refuel such equipment on a truck or trailer from a portable container rather than from a fuel-dispenser nozzle.
- If you must use a fuel-dispenser nozzle, keep the nozzle in contact with the rim of the fuel tank or container opening at all times until fueling is complete.

⚠ WARNING

Fuel is harmful or fatal if swallowed. Long-term exposure to vapors can cause serious injury and illness.

- Avoid prolonged breathing of vapors.
- Keep your face away from the nozzle and fuel tank opening.
- Keep fuel away from your eyes and skin.

Recommended Fuel

- For best results, use only clean, fresh (less than 30 days old), unleaded gasoline with an octane rating of 87 or higher ((R+M)/2 rating method).
- **Ethanol:** Gasoline with up to 10% ethanol (gasohol) or 15% MTBE (methyl tertiary butyl ether) by volume is acceptable. Ethanol and MTBE are not the same. Gasoline with 15% ethanol (E15) by volume is not approved for use. **Never use gasoline that contains more than 10% ethanol by volume**, such as E15 (contains 15% ethanol), E20 (contains 20% ethanol), or E85 (contains up to 85% ethanol). Using unapproved gasoline may cause performance problems and/or engine damage which may not be covered under warranty.

- Do not use gasoline containing methanol.
- Do not store fuel either in the fuel tank or fuel containers over the winter unless you use a fuel stabilizer.
- Do not add oil to gasoline.

Using Stabilizer/Conditioner

Use fuel stabilizer/conditioner in the machine at all times to keep the fuel fresh longer when used as directed by the fuel-stabilizer manufacturer.

Important: Do not use fuel additives containing methanol or ethanol.

Add the amount of fuel stabilizer/conditioner to fresh fuel as directed by the fuel-stabilizer manufacturer.

Filling the Fuel Tank

1. Park the machine on a level surface and engage the parking brake.
2. Shut off the engine and allow the engine to cool.
3. Clean around the fuel-tank cap and remove it (Figure 7).

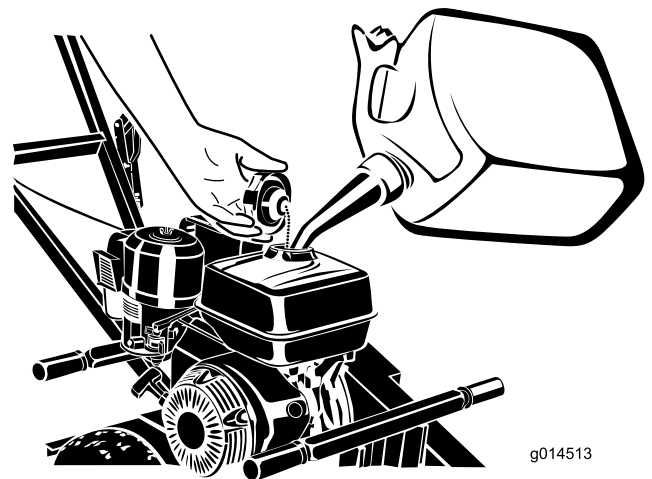


Figure 7

1. Fuel-tank cap
4. Fill the tank with fuel to about 6 to 13 mm (1/4 to 1/2 inch) below the bottom of the filler neck.
Important: This space in the tank allows fuel to expand. Do not fill the fuel tank completely full.
5. Install the fuel-tank cap securely.
6. Wipe up any spilled fuel.

Performing Daily Maintenance

Before starting the machine each day, perform the Each Use/Daily procedures listed in [Maintenance \(page 12\)](#).

Starting the Engine

1. Move the fuel valve to the OPEN position, all the way to the right ([Figure 8](#)).

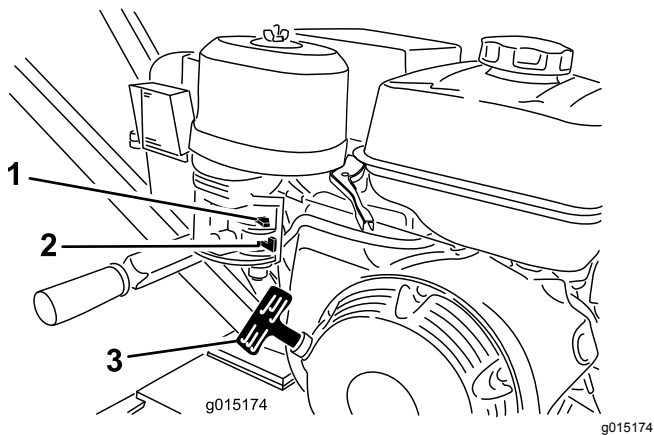


Figure 8

1. Choke lever
2. Fuel valve
3. Recoil-start handle

2. Move the choke lever to the ON position ([Figure 8](#)).

Note: A warm or hot engine may not require choking.

3. Move the throttle lever to the DISENGAGE position.
4. Hold the safety bail against the handle and push the handle down enough to raise the cutting wheel off the ground.
5. Pull the recoil-start handle lightly until you feel resistance, then pull the handle briskly ([Figure 8](#)). Return the recoil-start handle gently.
6. After the engine starts, gradually move the choke lever back to the OFF position. If the engine stalls or hesitates, move the choke back to the ON position again until the engine warms up. Then move it to the OFF position.

Shutting Off the Engine

1. Move the throttle to the DISENGAGE position.

Note: If the engine has been working hard or is hot, let it run for a minute before releasing the safety bail. This helps to cool the engine before shutting it off. In an emergency, the engine may be shut off immediately.

2. Release the safety bail to shut off the engine.
3. Move the fuel valve to the CLOSED position, all the way to the left.

Grinding a Stump

⚠ DANGER

This machine is capable of amputating hands and feet.

- Always wear substantial, slip-resistant footwear.
- Stay in the operating position while the machine is running, and keep away from moving parts.
- Keep all bystanders a safe distance away from the machine.
- Stop the machine immediately if any people or animals enter the work area.

⚠ WARNING

Grinding a stump throws wood chips, soil, and other debris into the air, which could injure you or bystanders.

- Always wear eye protection and long pants when using the grinder.
- Keep all bystanders a safe distance away from the grinder.

⚠ WARNING

The grinder is very loud when cutting a stump and can damage your ears.

Always wear hearing protection when using the grinder.

1. Set throttle to the DISENGAGE position, start the engine, and allow the machine to warm up for 2 minutes.
2. Push the handle down enough to raise the cutting wheel off the ground ([Figure 9](#)).

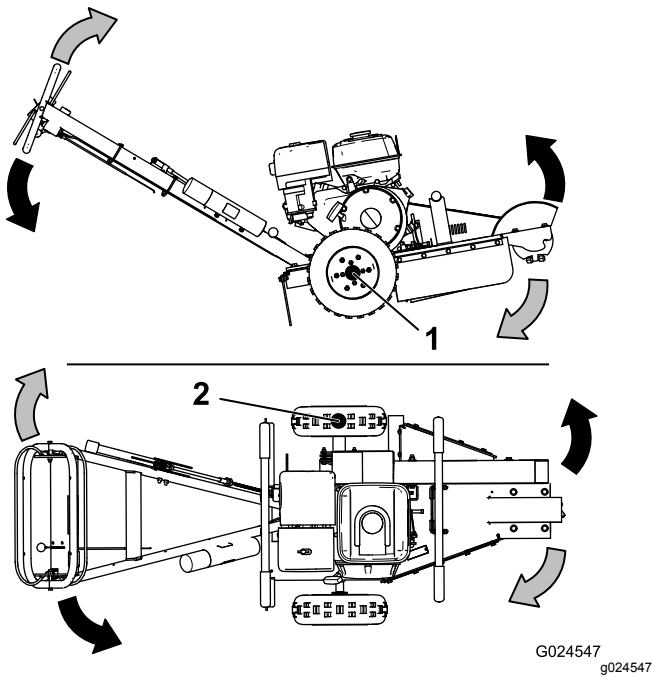


Figure 9

1. Pivot point
2. Pivot point when the parking brake is engaged

3. Move the machine to the front of the stump and engage the parking brake.
4. Move throttle up to the ENGAGE position. The cutting wheel will begin rotating.
5. Swing the cutting wheel to 1 side (Figure 9), then lower it approximately 1 to 2.5 cm (1/2 to 1 inch) into the front-top corner of the stump.



g024062

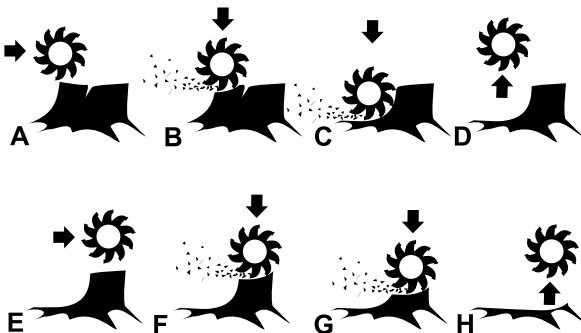


Figure 10

g024062

6. Using a sweeping motion, swing the cutting wheel back and forth, lowering the cutting wheel approximately 1 to 2.5 cm (1/2 to 1 inch) before

each sweep, until you have removed the front portion of the stump to ground level (A through D in Figure 10).

7. Raise the cutting wheel, release the parking brake, and move the machine forward a few centimeters (inches). Engage the parking brake.
 8. Repeat steps 5 and 7 until you have completely removed the stump (E through H in Figure 10).
 9. Move throttle to the DISENGAGE position, push the handle down enough to raise the cutting wheel off the ground. Wait for the cutting wheel to stop rotating then release the parking brake and pull the machine away from the stump.
- Note:** Do not let the front of the machine touch the ground until the cutting wheel has stopped turning.
10. Shut off the engine; refer to [Shutting Off the Engine](#) (page 10).

Lifting the Machine

Use the handles shown in Figure 11 as lift points.

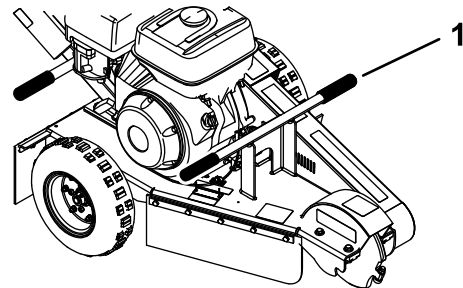


Figure 11

g205090

1. Lift handle (4)

Maintenance

Note: Determine the left and right sides of the machine from the normal operating position.

Important: You can tip the machine backward or on its side to clean or service it, but no longer than 2 minutes. If you hold the machine in this position for too long, fuel can drain into the crankcase and damage the engine. Should this happen, perform an extra oil change on the engine, then turn the engine over a few revolutions with the starter handle before starting the engine again.

Recommended Maintenance Schedule(s)

Maintenance Service Interval	Maintenance Procedure
After the first 20 hours	<ul style="list-style-type: none"> • Change the engine oil.
Before each use or daily	<ul style="list-style-type: none"> • Grease the machine. • Check the air filter (more often in dirty or dusty conditions). • Check the engine-oil level. • Clean the engine screen. • Check the drive-belt tension. • Check the condition of the teeth; rotate or replace any that are worn or damaged and torque the nuts for all teeth. • Remove debris from the machine.
Every 50 hours	<ul style="list-style-type: none"> • Service the air filter
Every 100 hours	<ul style="list-style-type: none"> • Change the engine oil. • Check the spark plug. • Clean the sediment cup. • Replace the drive belt.
Every 300 hours	<ul style="list-style-type: none"> • Replace the spark plug.
Every 600 hours	<ul style="list-style-type: none"> • Replace the air filter.
Yearly or before storage	<ul style="list-style-type: none"> • Change the engine oil. • Clean the sediment cup.

Important: Refer to your engine owner's manual for additional maintenance procedures.

Lubrication

Greasing the Machine

Service Interval: Before each use or daily

Grease Type: General-purpose grease.

1. Park the machine on a level surface and engage the parking brake.
2. Shut off the engine and wait for all moving parts to stop.
3. Clean the grease fittings with a rag.
4. Connect a grease gun to each fitting.
5. Lubricate the 2 fittings, 1 on each cutting-wheel bearing.
6. Pump grease into the fittings until grease begins to ooze out of the bearings (approximately 3 pumps).

Important: Pump grease in slowly and carefully to prevent damage to the bearing seals.

7. Wipe up any excess grease from the fitting and bearing area.

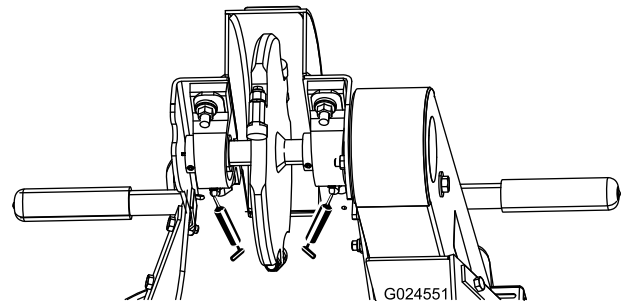


Figure 12

g024551

Engine Maintenance

Servicing the Air Cleaner

Service Interval: Before each use or daily—Check the air filter (more often in dirty or dusty conditions).

Every 50 hours/Every 3 months (whichever comes first)—Service the air filter

Every 600 hours/Every 2 years (whichever comes first)—Replace the air filter.

The cyclone air filter collects the largest contaminant particles, which collect in the container. When you can see a layer of dirt at the bottom of the container, clean the cyclone housing, air channels, and air-intake screen.

Servicing the Cyclone Housing

1. Park the machine on a level surface and engage the parking brake.
2. Shut off the engine and wait for all moving parts to stop.
3. Remove the 3 screws holding the cyclone housing to the air-cleaner cover.
4. Remove the housing with the air-intake screen and remove the air channels.

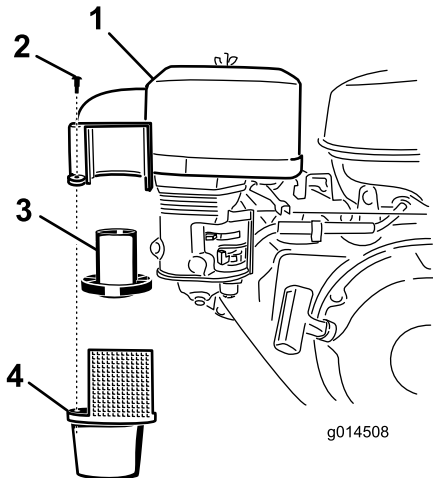


Figure 13

- | | |
|----------------------|---|
| 1. Air-cleaner cover | 3. Air channels |
| 2. Screw | 4. Cyclone housing with air-intake screen |

Note: The air channels may remain in the upper portion or follow along with the housing when removed.

5. Clean the components with water, detergent, and a brush then dry the components carefully.

6. Place the air channels in the cyclone housing.
7. Insert cyclone housing into position and make sure that it fits in the upper portion.

Important: Do not use force; align it in place before fitting the screws.

8. Secure the cyclone housing using the 3 screws.

Servicing the Air-Cleaner Elements

Removing the Foam and Paper Elements

1. Park the machine on a level surface and engage the parking brake.
2. Shut off the engine and wait for all moving parts to stop.
3. Remove the wing nut and lift off the air-cleaner cover with the air-filter cowling (Figure 14).

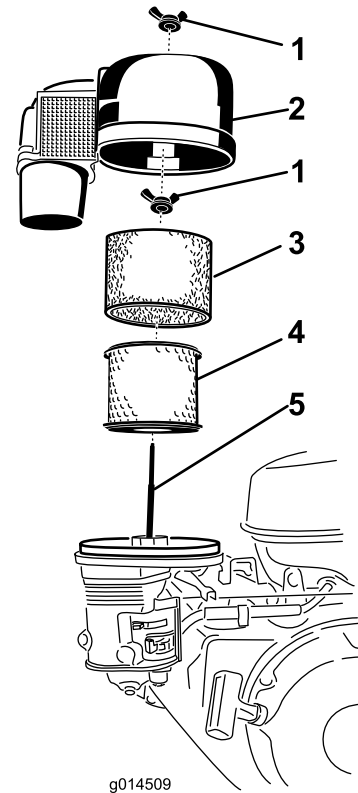


Figure 14

- | | |
|----------------------|------------------|
| 1. Wing nut | 4. Paper element |
| 2. Air-cleaner cover | 5. Stud |
| 3. Foam element | |

4. Remove the foam element (Figure 14).
5. Remove the wing nut on top of the paper element and remove the paper element (Figure 14).

Servicing the Foam Air-Cleaner Element

1. Wash the foam element using a mild detergent and water.
2. Squeeze it dry with a clean cloth.
3. Soak it with new engine oil.
4. Gently squeeze out excess oil from the element in an absorbent cloth.

Servicing the Paper Air-Cleaner Element

1. Clean the paper element by tapping it gently to remove dust. If it is very dirty, replace the paper element (Figure 14).
2. Inspect the element for tears, an oily film, or damage to the rubber seal.
3. Replace the paper element if it is damaged.

Important: Do not clean the paper filter.

Installing the Foam and Paper Elements

1. Mount the paper element in the air-cleaner housing and secure it with the wing nut.
2. Position the foam element over the paper element.
3. Install the air-cleaner cover and secure it with the wing nut.

Servicing the Engine Oil

Service Interval: Before each use or daily—Check the engine-oil level.

After the first 20 hours—Change the engine oil.

Every 100 hours—Change the engine oil.

Yearly or before storage—Change the engine oil.

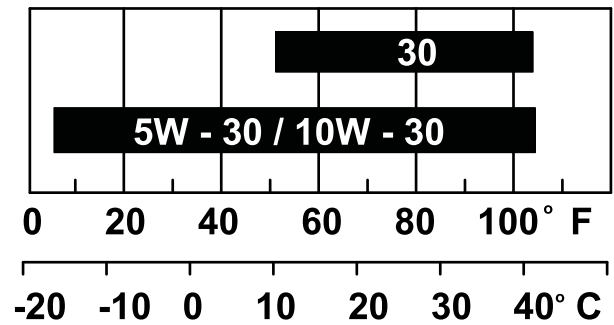
Engine-Oil Specifications

Note: Change the oil more frequently when the operating conditions are extremely dusty or sandy.

Oil Type: Detergent oil with an API service of SJ or higher.

Crankcase Capacity: 1.1 L (37 fl oz)

Viscosity: Refer to the figure below.



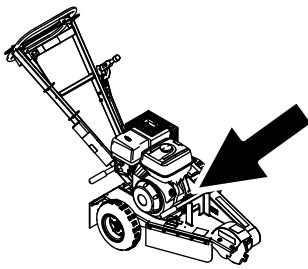
g013375

g013375

Figure 15

Checking the Engine-Oil Level

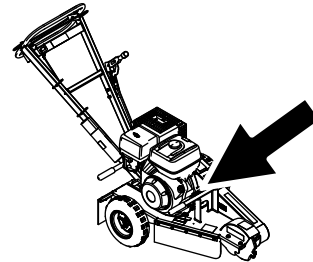
1. Park the machine on a level surface and engage the parking brake.
2. Shut off the engine and wait for all moving parts to stop.
3. Check the engine-oil level as shown in Figure 16.



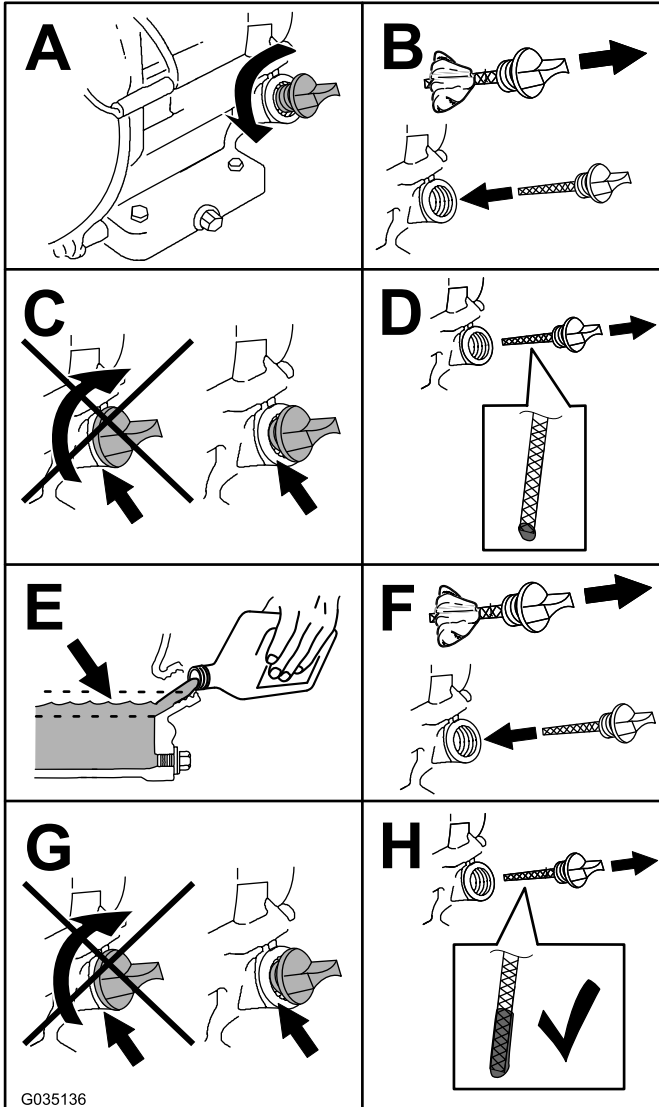
g205123

Changing the Engine Oil

1. Start the engine and let it run for 5 minutes.
Note: This warms the oil so that it drains better.
2. Park the machine on a level surface and engage the parking brake.
3. Shut off the engine and wait for all moving parts to stop.
4. Change the oil as shown in (Figure 17).



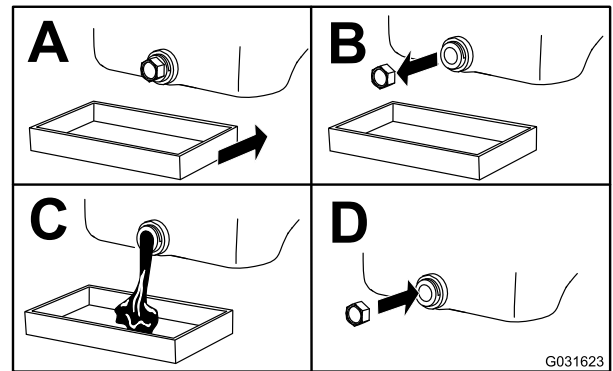
g205123



G035136

g035136

Figure 16



G031623

g031623

Figure 17

5. Slowly pour approximately 80% of the specified oil into the filler tube and slowly add the additional oil to bring it to the **Full** mark (Figure 18).

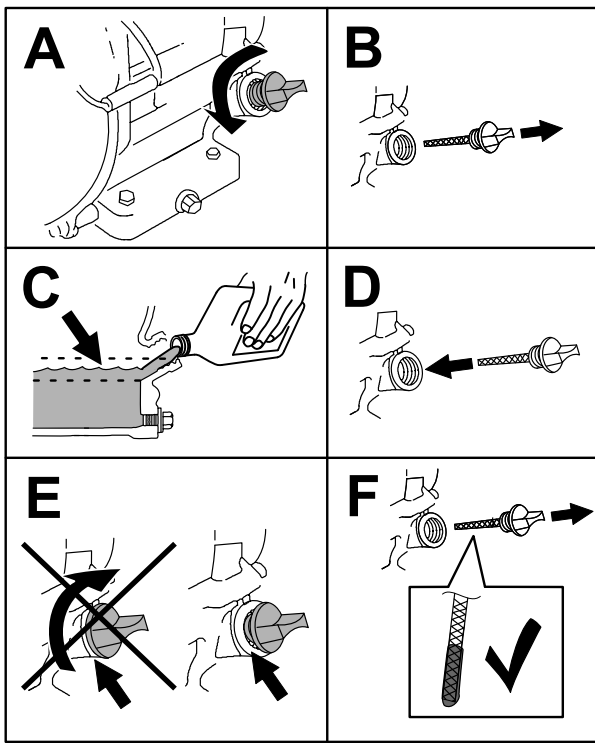
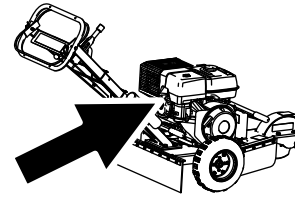


Figure 18

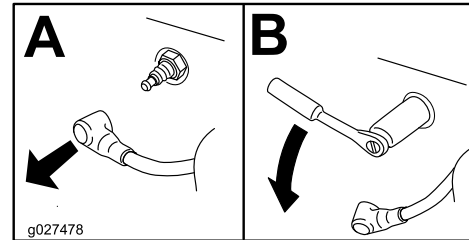
g206640

Removing the Spark Plug

1. Park the machine on a level surface and engage the parking brake.
2. Shut off the engine, wait for all moving parts to stop, and allow the engine to cool.
3. Locate and remove the spark plug (Figure 19).



g205129



g027478

g027478

Figure 19

6. Dispose of the used oil at a recycling center.

Servicing the Spark Plug

Service Interval: Every 100 hours—Check the spark plug.

Every 300 hours—Replace the spark plug.

Ensure that the air gap between the center and side electrodes is correct before installing the spark plug. Use a spark plug wrench for removing and installing the spark plug and a gapping tool/feeler gauge to check and adjust the air gap. Install a new spark plug if necessary.

Type: BPR6ES (NKG) or equivalent

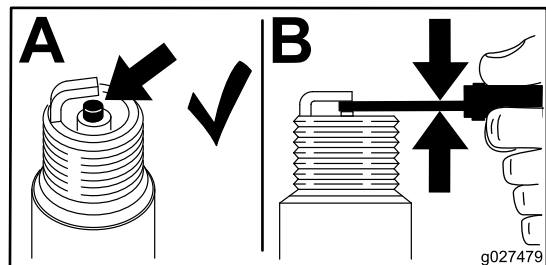
Air Gap: 0.70 to 0.80 mm (0.28 to 0.031 inch)

Checking the Spark Plug

Important: Do not clean the spark plug(s). Always replace the spark plug(s) when it has: a black coating, worn electrodes, an oily film, or cracks.

If you see light brown or gray on the insulator, the engine is operating properly. A black coating on the insulator usually means the air cleaner is dirty.

Set the gap to 0.70 to 0.80 mm (0.28 to 0.031 inch).



g027479

Figure 20

g027479

Installing the Spark Plug

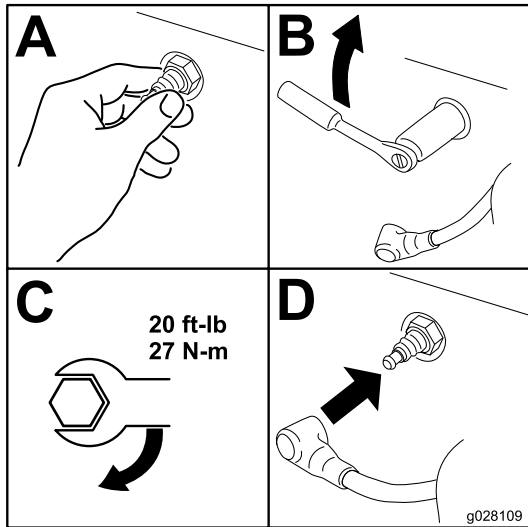


Figure 21

g028109

Cleaning the Engine Screen

Service Interval: Before each use or daily

Before each use, remove any buildup of grass, dirt, or other debris from the engine screen. This helps ensure adequate cooling and correct engine speed and reduces the possibility of overheating and mechanical damage to the engine.

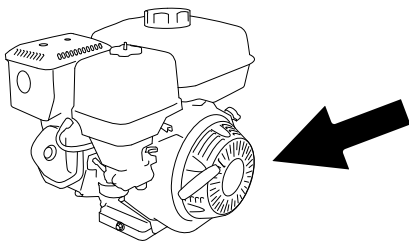


Figure 22

g242388

Fuel System Maintenance

Cleaning the Sediment Cup

Service Interval: Every 100 hours

Yearly or before storage

Underneath the fuel valve is a sediment cup to catch dirt in the fuel.

1. Park the machine on a level surface and engage the parking brake.
2. Shut off the engine and wait for all moving parts to stop.
3. Move the fuel valve to the OFF position, all the way to the left.
4. Unscrew the sediment cup (Figure 23).

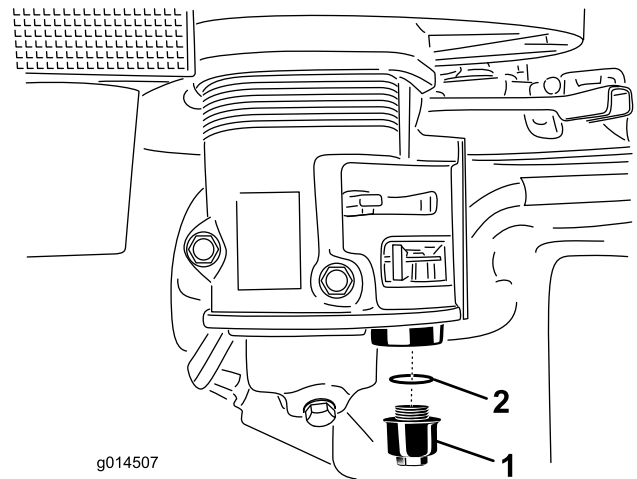


Figure 23

1. Sediment cup
2. O-ring

5. Clean the reservoir and the O-ring using a cleaning solvent and dry carefully.
6. Place the O-ring in the groove of the cup and replace the sediment cup.
7. Turn the fuel valve to the ON position, all the way to the right, and check for leaks.

Note: If it leaks, replace the O-ring.

Brake Maintenance

Adjusting the Parking Brake

1. Park the machine on a level surface and engage the parking brake.
2. Shut off the engine and wait for all moving parts to stop.
3. Loosen the set screw on the side of the brake-lever knob. Turn the knob clockwise to tighten the brake; turn the knob counterclockwise to loosen the brake.

Note: The left wheel should lock completely when you engage the brake.

4. Tighten the set screw.

Belt Maintenance

Adjusting the Drive-Belt Tension

Service Interval: Before each use or daily

Note: Inspect the drive belt through the slot on top of the belt cover. Adjust as required.

1. Park the machine on a level surface and engage the parking brake.
2. Shut off the engine and wait for all moving parts to stop.
3. Loosen the 2 bolts securing the belt guard to machine until you can remove the belt guard ([Figure 24](#)).

Note: The bolts and washers will remain attached to the belt guard.

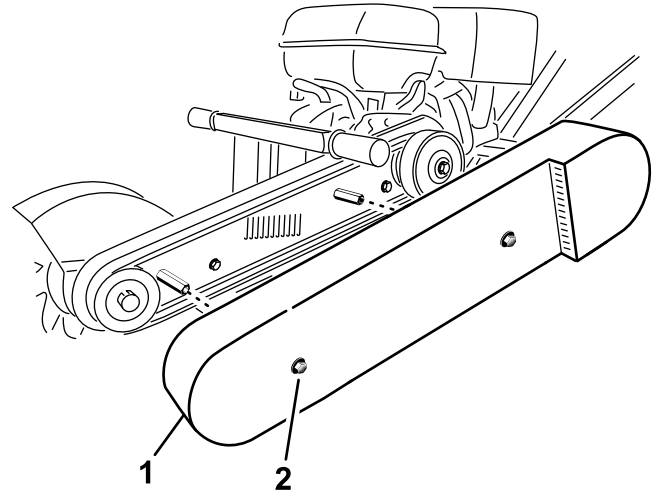


Figure 24

g205161

1. Belt guard
2. Bolt and washer (2)

4. Remove the belt guard ([Figure 24](#)).
5. Loosen the 4 engine-plate mounting bolts and the 2 bolts securing the rear of the belt guard to the engine ([Figure 25](#) and [Figure 26](#)).

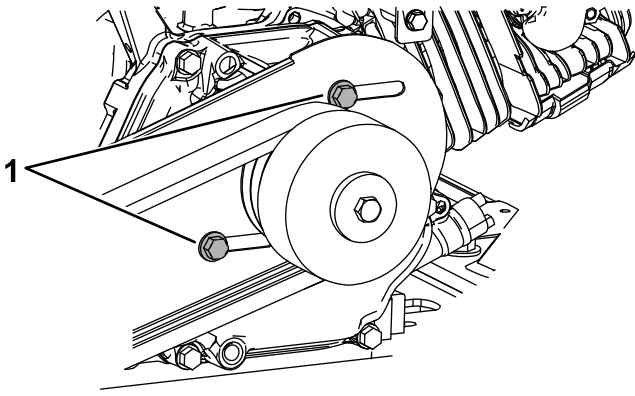


Figure 25

g242386

1. Bolt

6. Loosen the belt-tension bolt and jam nut. Slide the engine toward the flywheel housing to loosen the belt ([Figure 26](#)).

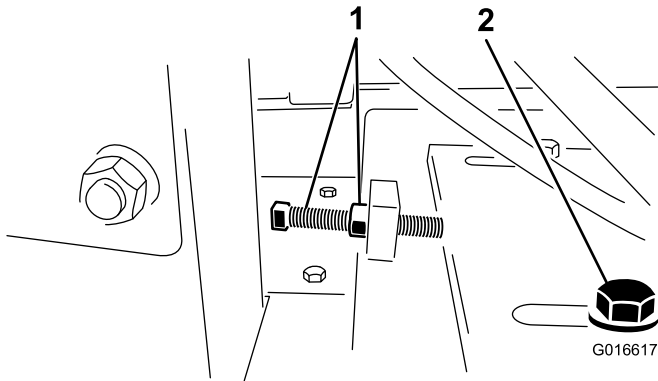


Figure 26

g016617

1. Tension bolt and jam
2. Engine plate mounting bolt

7. Adjust the drive-belt tension by tightening tension bolt and jam nut against the engine mounting plate, pushing the engine rearward.
8. Lay a straightedge across the clutch and flywheel pulleys. Tighten the belt-tension bolt so that there is 10 mm (0.40 inch) of flex in the belt when pushing down with 6.8 kg (15 lb) force at mid-span (when re-tensioning a belt in use), or with 8 kg (18 lb) force when installing a new belt ([Figure 27](#)).

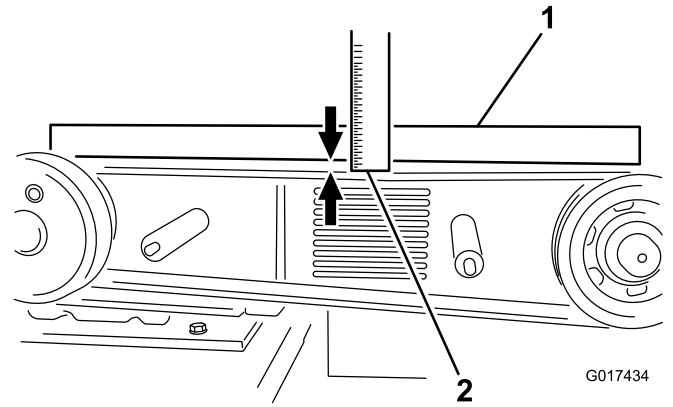


Figure 27

G017434

g017434

1. Straightedge
2. Flex of 1 cm (0.40 inch)

9. Ensure that the pulleys are aligned and the engine is parallel with the frame (not angled toward the side), then tighten the 4 engine-plate mounting bolts and the 4 bolts securing the rear of the belt guard to the engine.
10. Install the belt guard and tighten the bolts ([Figure 24](#)).

Replacing the Drive Belt

Service Interval: Every 100 hours

Note: Replace the belt if it shows any signs of wear, cracks, glazing, or damage.

1. Park the machine on a level surface and engage the parking brake.
2. Shut off the engine and wait for all moving parts to stop.
3. Loosen the bolts securing the belt guard to machine until you can remove the belt guard.
4. Remove the belt guard ([Figure 24](#)).
5. Loosen the 4 engine-plate mounting bolts and the 2 bolts securing the rear of the belt guard to the engine ([Figure 25](#) and [Figure 26](#)).
6. Loosen the belt tension bolt and jam nut and slide the engine toward the flywheel housing to loosen the belt ([Figure 26](#)).
7. Replace the drive belt.
8. Adjust the tension of the new belt to 8 kg (18 lb) force and 10 mm (0.40 inch) belt deflection at mid-span; refer to [Adjusting the Drive-Belt Tension](#) (page 18).
9. Tighten the 4 engine-plate mounting bolts and the 4 bolts securing the rear of the belt guard to the engine.
10. Install the belt guard and secure it with the previously removed washers and bolts.

Grinder Maintenance

Replacing the Teeth

Service Interval: Before each use or daily—Check the condition of the teeth; rotate or replace any that are worn or damaged and torque the nuts for all teeth.

Due to the high amount of wear placed on the teeth, you need to rotate and replace them periodically (Figure 28). Before you rotate or replace them, inspect each tooth holder on the wheel, including the flat lands that prevent the teeth from rotating. If the tooth holder is damaged, replace the wheel. Torque the nuts 68 N·m (50 ft·lb) for any teeth that you are not rotating or replacing.

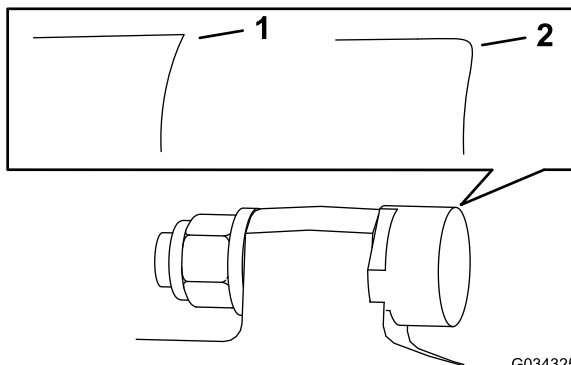


Figure 28

- 1. Sharp tooth
- 2. Worn tooth

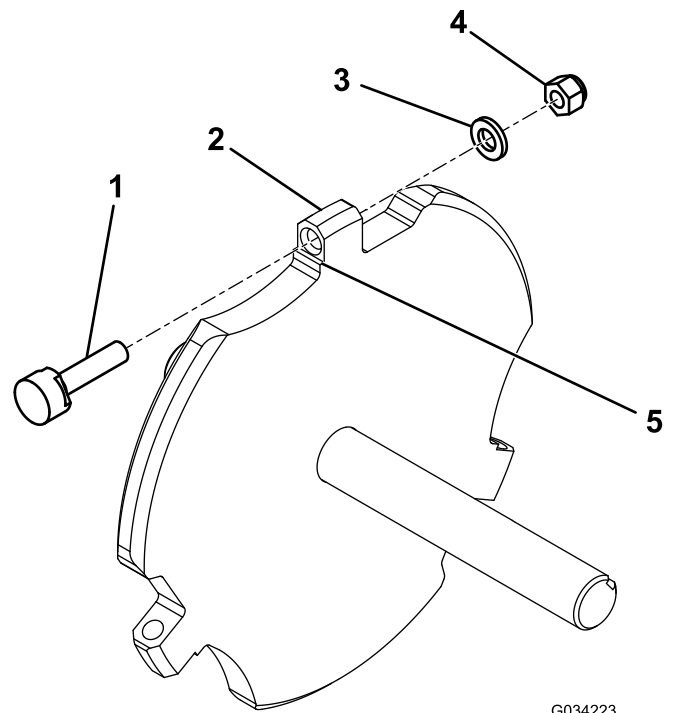


Figure 29

- 1. Tooth
- 2. Tooth holder
- 3. Washer
- 4. Nut
- 5. Flat land

Each tooth is indexed with 3 positions so you can rotate it twice, exposing a new sharp edge before replacing the tooth. To rotate a tooth, loosen the nut securing the tooth (Figure 29). Push the tooth forward and rotate it 1/3 of a turn, bringing an unused edge to the outside. Torque the nut securing the tooth to 68 N·m (50 ft·lb).

To replace a tooth, remove the nut securing the tooth, then install a new tooth, washer, and nut in the same position (Figure 29). Torque the nut securing the tooth to 68 N·m (50 ft·lb).

Cleaning

Removing Debris from the Machine

Regular cleaning and washing increases the life span of the machine. Clean the machine directly after use, before the dirt hardens.

Before cleaning, check that the fuel-tank cap is properly in place to avoid getting water in the tank.

Use care when using a high-pressure sprayer, because it can damage warning decals, instruction signs, and the engine

Important: Lubricate the cutting wheel bearings after cleaning.

Storage

For storage over 30 days, prepare the machine as follows:

1. Park the machine on a level surface and engage the parking brake.
2. Shut off the engine and wait for all moving parts to stop.
3. Remove dirt and grime from the external parts of the entire unit, especially the engine. Clean dirt and sawdust chips from the outside of the engine cylinder head fins and blower housing.

Important: You can wash the machine with mild detergent and water.

4. For storage over 30 days, prepare the machine as follows:
 - A. Add fuel stabilizer/conditioner to fresh fuel in the tank. Follow the mixing instructions from the stabilizer manufacturer. Do not use an alcohol-based stabilizer (ethanol or methanol).
 - B. Run the engine to distribute conditioned fuel through the fuel system for 5 minutes.
 - C. Shut off the engine, allow it to cool, and drain the fuel tank using a pump type syphon.
 - D. Start the engine and run it until it shuts off.
 - E. Engage the choke.
 - F. Start and run the engine until it does not start again.
 - G. Dispose of fuel properly. Recycle as per local codes.

Important: Do not store fuel containing stabilizer/conditioner longer than the duration recommended by the fuel-stabilizer manufacturer.

5. Clean the sediment cup; refer to [Cleaning the Sediment Cup \(page 17\)](#).
6. Service the air cleaner; refer to [Servicing the Air Cleaner \(page 13\)](#).
7. Change the engine oil; refer to [Changing the Engine Oil \(page 15\)](#).
8. Remove the spark plug and check the condition; refer to [Servicing the Spark Plug \(page 16\)](#).
9. With the spark plug removed from the engine, pour 2 tablespoons of engine oil into the spark plug hole.
10. Pull the starter slowly to crank the engine and distribute the oil inside the cylinder.
11. Install the spark plug, but do not install the wire on the spark plug.

12. Grease the cutter wheel bearings; refer to [Greasing the Machine \(page 12\)](#).
13. Check and tighten all bolts, nuts, and screws. Repair or replace any part that is damaged.
14. Paint all scratched or bare metal surfaces. Paint is available from your Authorized Service Dealer.
15. Store the machine in a clean, dry garage or storage area.
16. Cover the machine to protect it and keep it clean.

Troubleshooting

Problem	Possible Cause	Corrective Action
The engine does not start.	<ol style="list-style-type: none"> 1. The safety bail is in the OFF position. 2. If your model is equipped with an engine with an On/Off switch, the switch is in the OFF position. 3. The fuel-shutoff valve is closed. 4. The choke is open. 5. The fuel tank is empty. 6. The spark plug wire is loose or disconnected. 	<ol style="list-style-type: none"> 1. Hold the safety bail against the handle. 2. Move the switch to the ON position. 3. Open the fuel-shutoff valve. 4. Close the choke when starting a cold engine. 5. Fill the tank with fresh fuel. 6. Check the electrode gap and clean or replace the spark plug.
The engine runs rough.	<ol style="list-style-type: none"> 1. The choke is closed. 2. The air filter is clogged. 3. The fuel line is clogged. 4. There is water or contaminants in the fuel. 5. The spark plugs are worn or have buildup on the electrodes. 	<ol style="list-style-type: none"> 1. Open the choke. 2. Clean or replace the air filter. 3. Clean the sediment cup. 4. Drain the fuel tank and fill it with fresh fuel. 5. Check the electrode gap and clean or replace the spark plug.
The belt slips or comes off the pulleys.	<ol style="list-style-type: none"> 1. The belt tension is insufficient. 	<ol style="list-style-type: none"> 1. Adjust the belt tension. Reduce the cutting depth.
The cutting wheel does not rotate.	<ol style="list-style-type: none"> 1. The engine speed is insufficient to activate the centrifugal clutch. 2. The belt tension is insufficient. 3. The clutch shoes are worn. 	<ol style="list-style-type: none"> 1. Move the throttle to the ENGAGED position. 2. Adjust the belt tension. 3. Replace the clutch.
The cutting wheel continues to rotate.	<ol style="list-style-type: none"> 1. The engine speed is excessive. 2. The belt is off the pulleys or broken. 3. The clutch springs are weak or broken. 	<ol style="list-style-type: none"> 1. Move the throttle to the DISENGAGED position. 2. Replace the drive belt. 3. Replace the clutch.
The parking brake does not hold.	<ol style="list-style-type: none"> 1. The parking brake is out of adjustment. 2. The brake pads are worn. 	<ol style="list-style-type: none"> 1. Adjust the parking brake. 2. Replace the brake.

Notes:

Notes:

Notes:

European Privacy Notice

The Information Toro Collects

Toro Warranty Company (Toro) respects your privacy. In order to process your warranty claim and contact you in the event of a product recall, we ask you to share certain personal information with us, either directly or through your local Toro company or dealer.

The Toro warranty system is hosted on servers located within the United States where privacy law may not provide the same protection as applies in your country.

BY SHARING YOUR PERSONAL INFORMATION WITH US, YOU ARE CONSENTING TO THE PROCESSING OF YOUR PERSONAL INFORMATION AS DESCRIBED IN THIS PRIVACY NOTICE.

The Way Toro Uses Information

Toro may use your personal information to process warranty claims, to contact you in the event of a product recall and for any other purpose which we tell you about. Toro may share your information with Toro's affiliates, dealers or other business partners in connection with any of these activities. We will not sell your personal information to any other company. We reserve the right to disclose personal information in order to comply with applicable laws and with requests by the appropriate authorities, to operate our systems properly or for our own protection or that of other users.

Retention of your Personal Information

We will keep your personal information as long as we need it for the purposes for which it was originally collected or for other legitimate purposes (such as regulatory compliance), or as required by applicable law.

Toro's Commitment to Security of Your Personal Information

We take reasonable precautions in order to protect the security of your personal information. We also take steps to maintain the accuracy and current status of personal information.

Access and Correction of your Personal Information

If you would like to review or correct your personal information, please contact us by email at legal@toro.com.

Australian Consumer Law

Australian customers will find details relating to the Australian Consumer Law either inside the box or at your local Toro Dealer.

California Proposition 65 Warning Information

What is this warning?

You may see a product for sale that has a warning label like the following:



WARNING: Cancer and Reproductive Harm—www.p65Warnings.ca.gov.

What is Prop 65?

Prop 65 applies to any company operating in California, selling products in California, or manufacturing products that may be sold in or brought into California. It mandates that the Governor of California maintain and publish a list of chemicals known to cause cancer, birth defects, and/or other reproductive harm. The list, which is updated annually, includes hundreds of chemicals found in many everyday items. The purpose of Prop 65 is to inform the public about exposure to these chemicals.

Prop 65 does not ban the sale of products containing these chemicals but instead requires warnings on any product, product packaging, or literature with the product. Moreover, a Prop 65 warning does not mean that a product is in violation of any product safety standards or requirements. In fact, the California government has clarified that a Prop 65 warning "is not the same as a regulatory decision that a product is 'safe' or 'unsafe.'" Many of these chemicals have been used in everyday products for years without documented harm. For more information, go to <https://oag.ca.gov/prop65/faqs-view-all>.

A Prop 65 warning means that a company has either (1) evaluated the exposure and has concluded that it exceeds the "no significant risk level"; or (2) has chosen to provide a warning based on its understanding about the presence of a listed chemical without attempting to evaluate the exposure.

Does this law apply everywhere?

Prop 65 warnings are required under California law only. These warnings are seen throughout California in a wide range of settings, including but not limited to restaurants, grocery stores, hotels, schools, and hospitals, and on a wide variety of products. Additionally, some online and mail order retailers provide Prop 65 warnings on their websites or in catalogs.

How do the California warnings compare to federal limits?

Prop 65 standards are often more stringent than federal and international standards. There are various substances that require a Prop 65 warning at levels that are far lower than federal action limits. For example, the Prop 65 standard for warnings for lead is 0.5 µg/day, which is well below the federal and international standards.

Why don't all similar products carry the warning?

- Products sold in California require Prop 65 labelling while similar products sold elsewhere do not.
- A company involved in a Prop 65 lawsuit reaching a settlement may be required to use Prop 65 warnings for its products, but other companies making similar products may have no such requirement.
- The enforcement of Prop 65 is inconsistent.
- Companies may elect not to provide warnings because they conclude that they are not required to do so under Prop 65; a lack of warnings for a product does not mean that the product is free of listed chemicals at similar levels.

Why does Toro include this warning?

Toro has chosen to provide consumers with as much information as possible so that they can make informed decisions about the products they buy and use. Toro provides warnings in certain cases based on its knowledge of the presence of one or more listed chemicals without evaluating the level of exposure, as not all the listed chemicals provide exposure limit requirements. While the exposure from Toro products may be negligible or well within the "no significant risk" range, out of an abundance of caution, Toro has elected to provide the Prop 65 warnings. Moreover, if Toro does not provide these warnings, it could be sued by the State of California or by private parties seeking to enforce Prop 65 and subject to substantial penalties.